

Glass Door Solutions (GDS)

Are a specialist supplier, importer and distributor of all glass construction products, from patch fittings to complete sliding door systems, working in partnership with leading brands such as Dorma, Ducasse, GEZE and MAB.

The team have a wealth of knowledge of the complexities of constructing with glass and engage with a wide range of customers from private enquirers through to glass installers and main interior fit-out contractors.

New product development is key to the ongoing success of GDS. Included within these pages are new products; I-Slide, Purefold and Telescopic Sliding door systems.

Glass Door Solutions Limited is a member of The Glass and Glazing Federation (GGF). Being the industry authority, the GGF promotes best practice and sets the highest technical and health & safety standards.



i-Slide

i-Slide 80 and i-Slide 150 are single panel and bi-parting glass door systems with nylon ball bearing rollers which provide a smooth sliding operation. The product incorporates solutions for both 10mm and 12mm glass. Options are available for both systems, such as, soft close and fixed panels and they can be specified to be head or wall fixed. I-Slide is particularly suitable for commercial interior fit-out, shop fitting or even within a domestic environment as an aesthetic and space efficient solution for room access and egress.

The i-Slide sliding system, internal glass sliding door has achieved independent cycle testing to 50,000 operations to the principles of EN 1191 certificate number Chilt/P13129.

Product Code: i-SLIDE 80

Total opening: up to 6 metres
Max. Door weight: up to 80kg
Glass thickness: 10 or 12mm

Options

- Head fixed or wall fixed option
- Fixed panel option

Finishes

- SAA Satin anodized aluminium
- SSS Simulated stainless steel
- Powder coated

Product Code: i-SLIDE 150

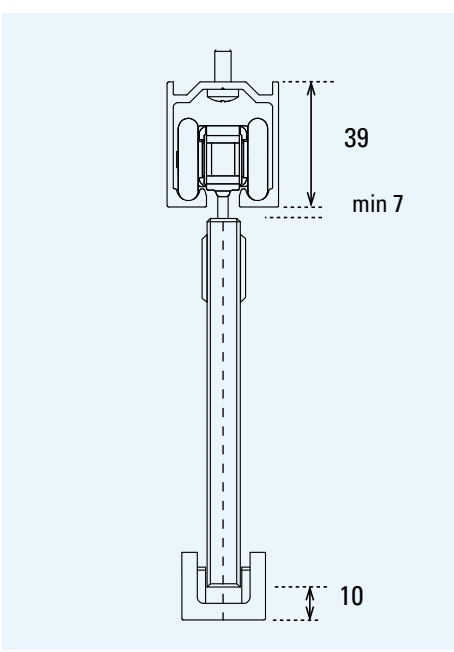
Total opening: up to 6 metres
Max. Door weight: 150kg
Glass thickness: 10 or 12mm

Options

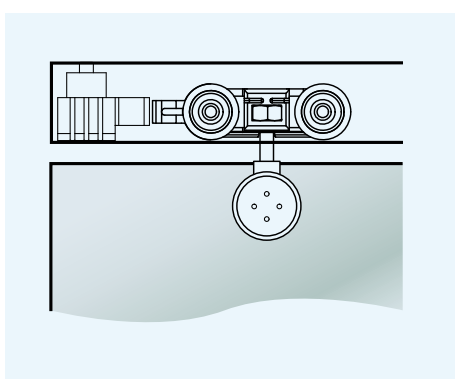
- Soft close function available
- Head fixed or wall fixed option
- Fixed panel option

Finishes

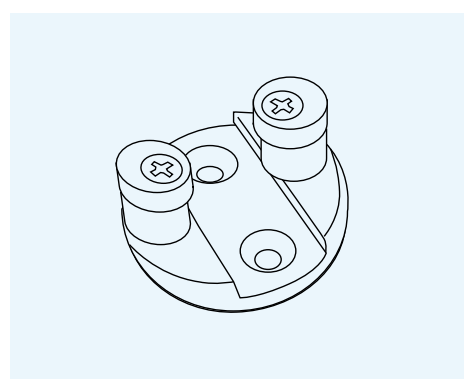
- SAA Satin anodized aluminium
- SSS Simulated stainless steel
- Powder coated



Section view

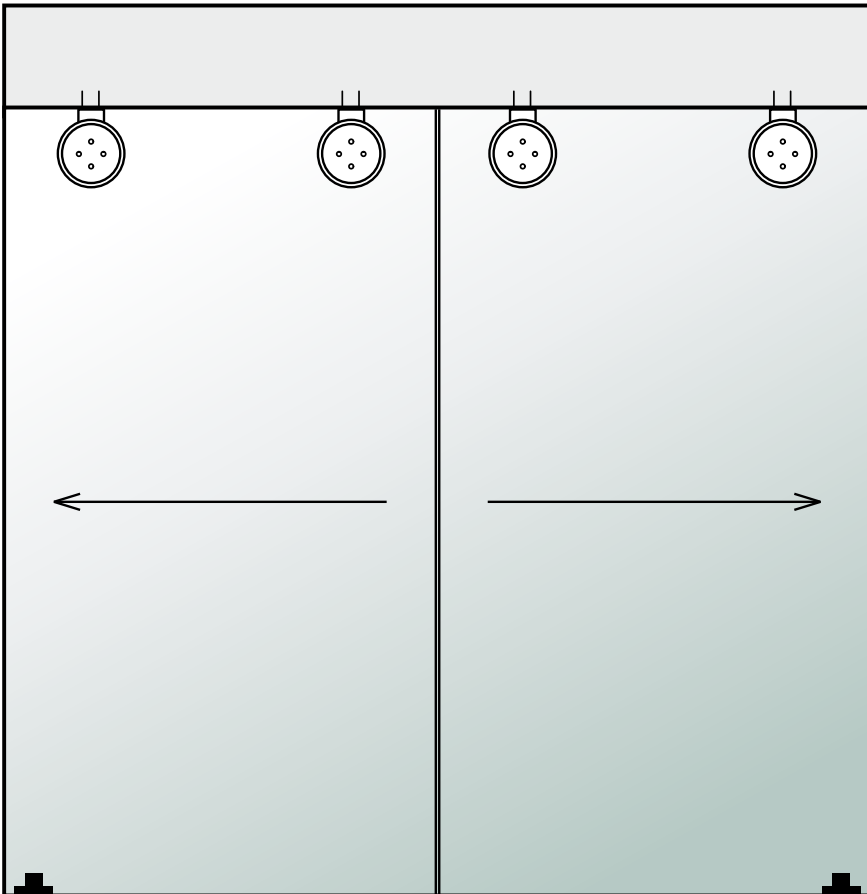


Stop and carrier



Adjustable floor guide

Double Door



Not to scale

Single Door

